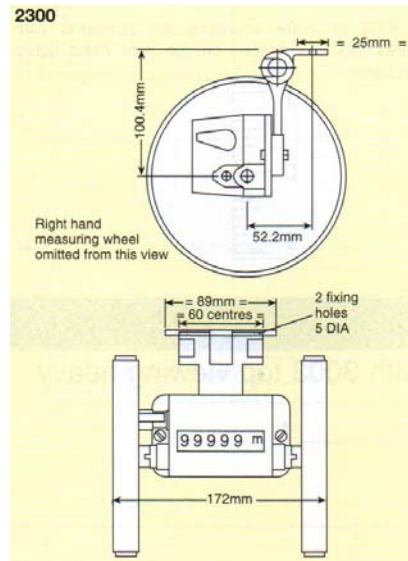


2300 Mechanical Length Measuring Unit

Heavy duty measuring unit, dual measuring wheels for better stability and contact, frame/bulkhead mounted



This rugged instrument has a wide range of applications where an accurate record of length is required. It is a strong, heavy duty unit for use on calenders, tenters, rolling, ribbon winding textile machinery and almost all other continuous manufacturing processes.

Sturdy die-cast construction

Uses standard measuring wheels

Can be tilted out of the way when not in use

The 2300 bolts directly onto a bulkhead or frame member

The integral hinge arrangement allows the unit to be positioned at any angle

The measuring wheels supplied can be 0.5m or 0.3m (18in or 12in) circumference (specify when ordering)

The weight of the assembly holds it in contact with the material being measured

Specification

Shaft Diameter

7mm (0.275in).

Units of Measurement

Metres/centimetres, yards/eighths or feet/inches (other measurements may be available to special order; please ask).

Packed Dimensions

180mm (7.09in) x 200mm (7.87in) x 270mm (10.63in)

Gross Weights

1.3kg (2.86lb)

Ordering Information

2300 Heavy duty measuring counter with hinged bracket and two wheels

2300-11MCG	3602 Top Going Counter. (M/Cm.) with 2 x ½ Metre Wheels and Hinged Bracket
2300-11MCC	3602 Top Coming Counter. (M/Cm.) with 2 x ½ Metre Wheels and Hinged Bracket
2300-14MFG	3602 Top Going Counter. (Ft/Ins.) with 2 1ft. Wheels and Hinged Bracket
2300-14MFC	3602 Top Coming Counter. (Ft/Ins.)with 2 1ft. Wheels and Hinged Bracket
2300-13MYG	3602 Top Going Counter. (Yd/1/8's) with 2 ½ Yard Wheels and Hinged Bracket
2300-14MYC	3602 Top Coming Counter. (Yd/1/8's) with 2 ½ Yard Wheels and Hinged Bracket