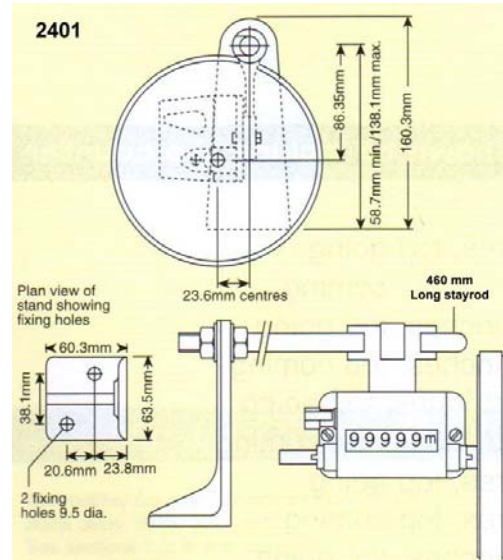


2401 Mechanical Length Measuring Unit

Heavy duty measuring unit, single wheel unit which has frame or bulkhead mounting.



This rugged instrument has a wide range of applications where an accurate record of length is required. It is a strong, heavy duty unit for use on calenders, tenters, rolling, ribbon winding textile machinery and almost all other continuous manufacturing processes.

Sturdy die-cast construction

- Uses standard measuring wheels.
- Can be tilted out of the way when not in use.
- Supplied with stand.

The 2401 unit is slung from a stay rod. A hinge arrangement on the stay rod allows the unit to be positioned at any angle. The 2401 is supplied with a 475mm (17.99in) stay rod and stand.

The measuring wheel supplied can be 0.5m or 0.3m (18in or 12in) circumference (specify when ordering).

The weight of the assembly holds it in contact with the material being measured.

Specification

Shaft Diameter

7mm (0.275in).

Units of Measurement

Metres/centimetres, yards/eighths or feet/inches (other measurements may be available to special order; please ask).

Packed Dimensions

520mm (20.47in) x 170mm (6.69in) x 130mm (5.12in)

Gross Weights

2.0kg (4.4lb)

Ordering Information

2401 Heavy duty measuring counter with stand, stay rod, counter mounting bracket and measuring wheel.

- 2401-11MCG 3602 Top Going Counter. (M/Cm.) with ½ Mtr. Wheel, Stand, Stayrod + Bracket
- 2401-11MCC 3602 Top Coming Counter. (M/Cm.) with ½ Mtr. Wheel, Stand, Stayrod + Bracket